

**WINDOW FLASHING SYSTEM
INSTALLATION INSTRUCTIONS**

FOR

**PUNCHED WINDOW OPENINGS
WITH LOOSE STEEL LINTELS**

Offered By:

EXO-TEC Manufacturing, Inc.

22 Washington Street

Stoughton, MA 02072

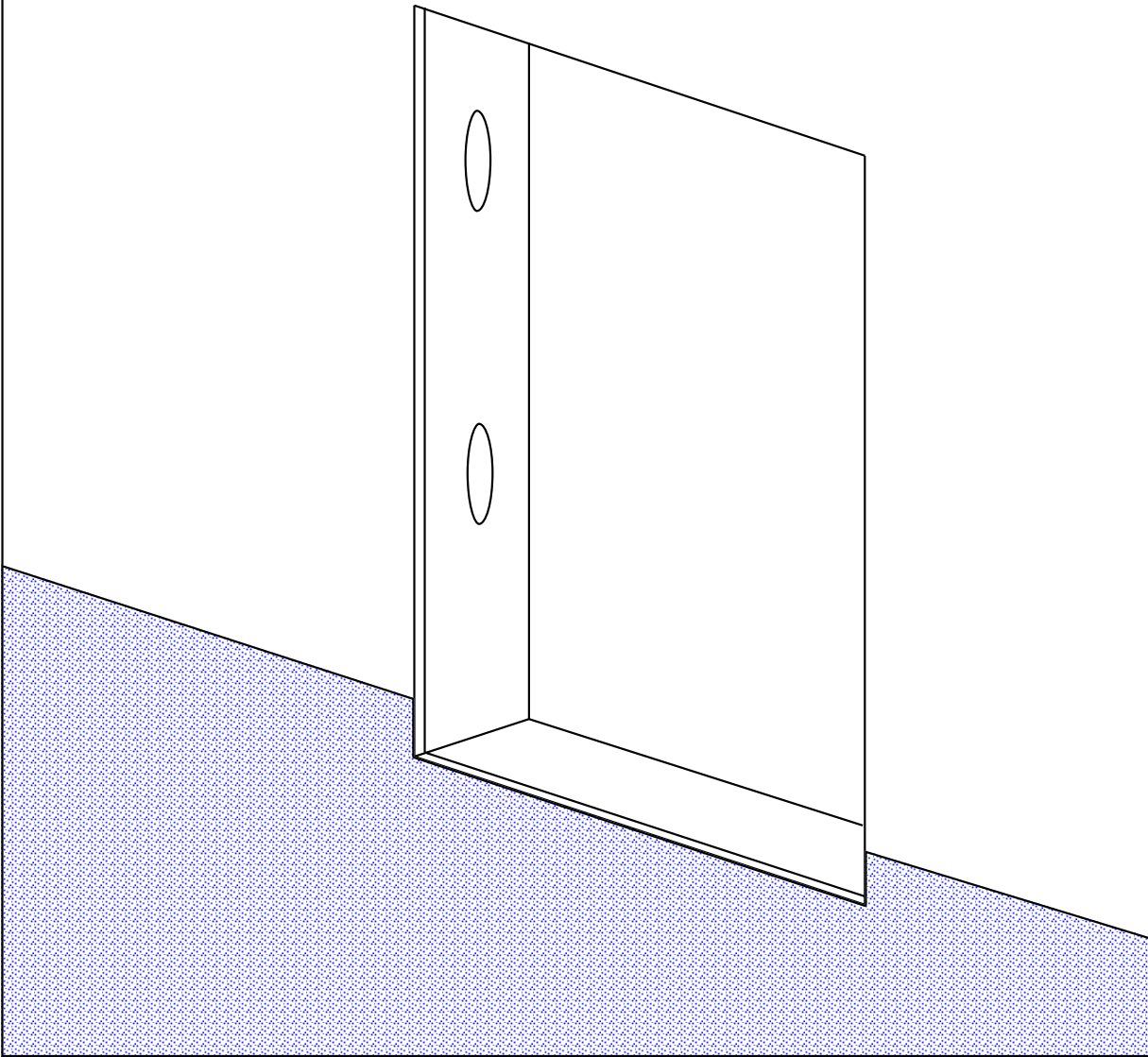
(781) 344-9794

Fax (781) 344-9823

<http://www.exo-tec.biz>

E-Mail: len@exo-tec.biz

1.) INSTALL THE WATER, AIR
OR AIR / VAPOR BARRIER
TO VICINITY OF THE
WINDOW SILL HEIGHT.



EXO-TEC MANUFACTURING, INC.

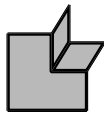
294 PLEASANT ST. SUITE 203A, STOUGHTON, MA 02072

(781) 344-9794 FAX (781) 344-9823

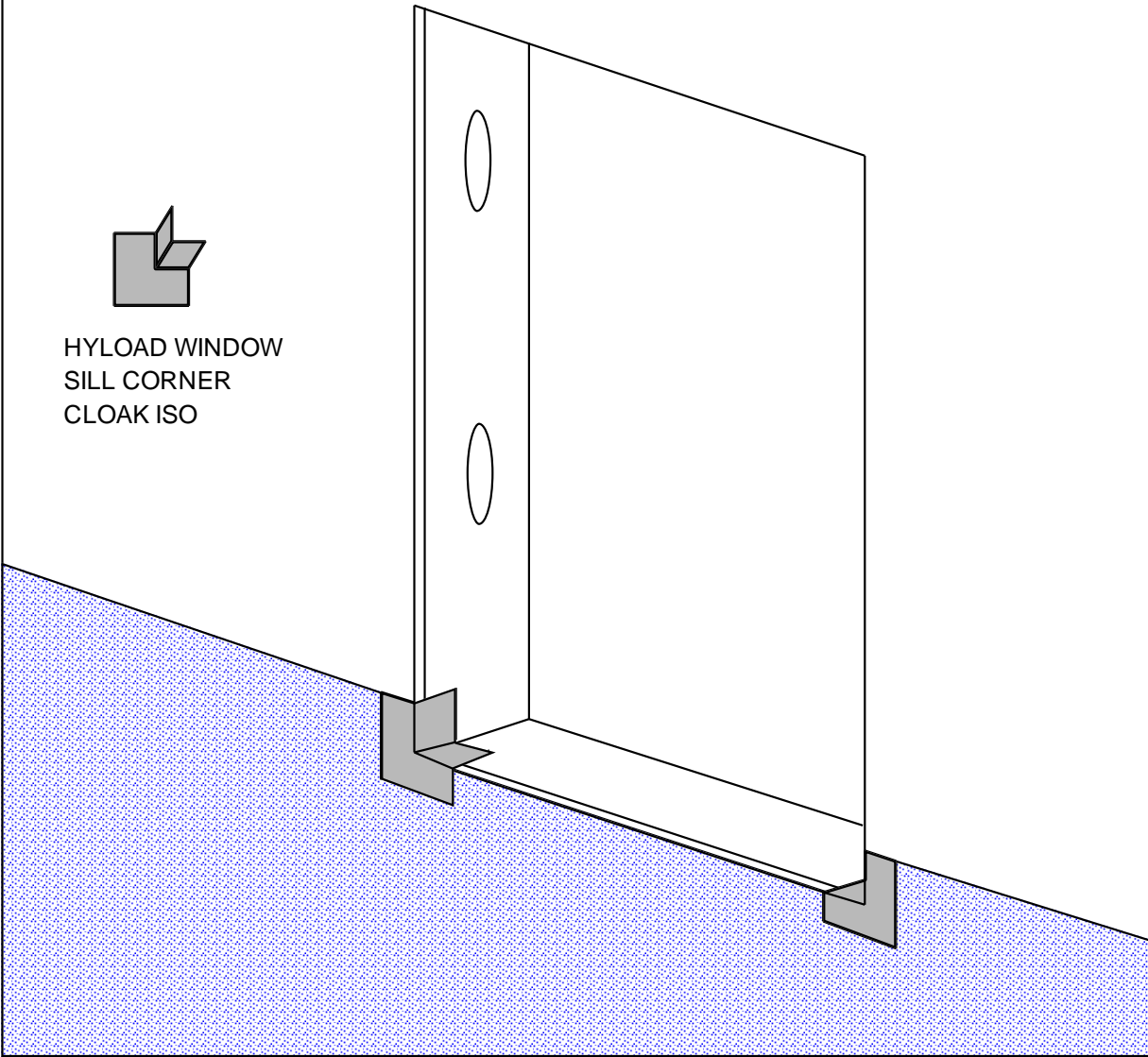
www.exo-tec.biz

WINDOW FLASHING SYSTEM INSTALLATION: STEP 1

2.) INSTALL HYLOAD WINDOW
SILL CORNER CLOAKS IN A FULL
BED OR WITH A CONTINUOUS
PERIMETER BEAD OF HYLOAD
ADHESIVE.



HYLOAD WINDOW
SILL CORNER
CLOAK ISO



EXO-TEC MANUFACTURING, INC.

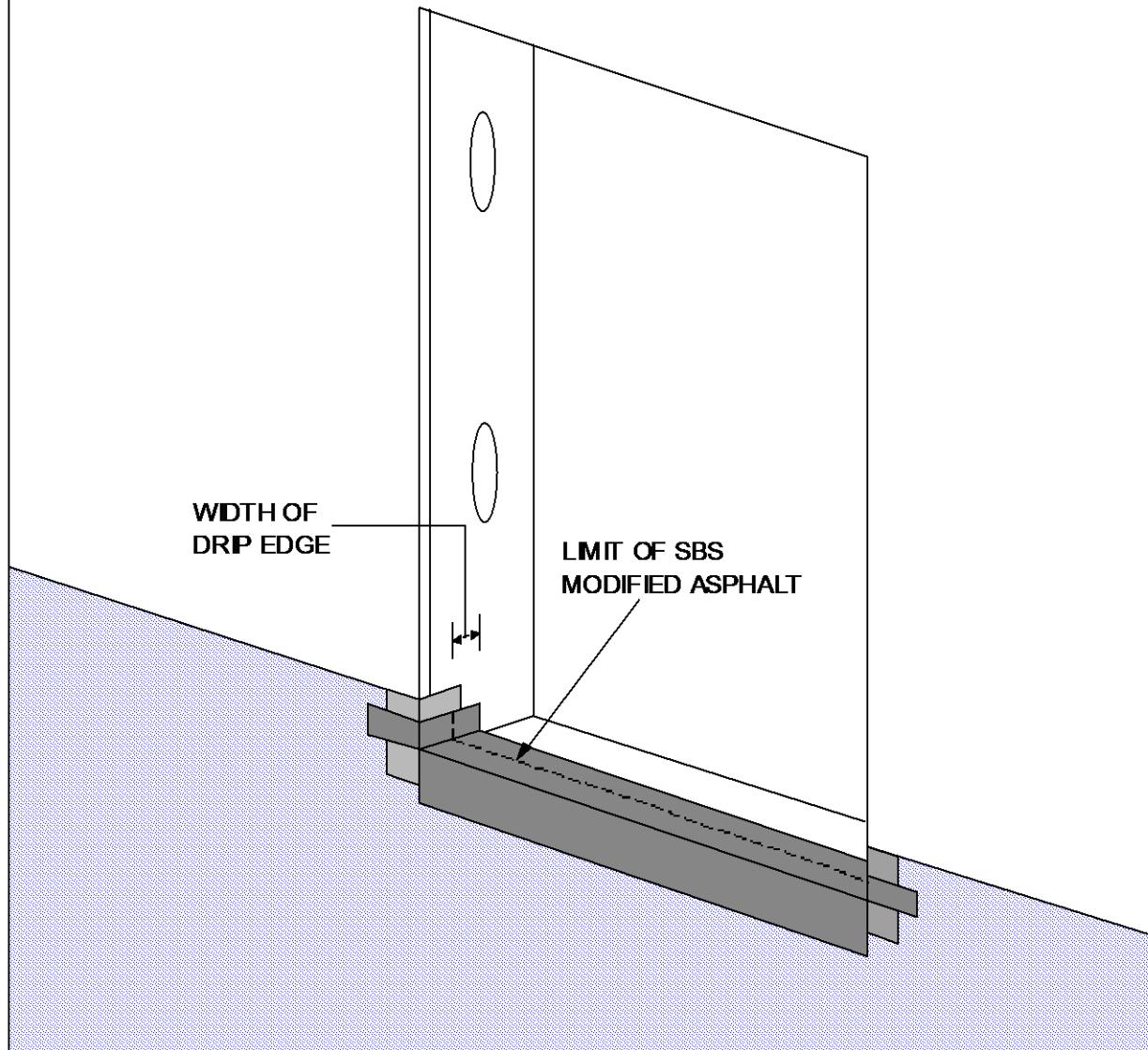
294 PLEASANT ST. SUITE 203A , STOUGHTON, MA 02072

(781) 344-9794 FAX (781) 344-9823

www.exo-tec.com

WINDOW FLASHING SYSTEM INSTALLATION: STEP 2

3.) **INSTALL HYLOAD S/A FLASHING WITH DRIP EDGE AT THE WINDOW SILL WITH THE INNER EDGE OF THE DRIP EDGE AT THE APPROXIMATE LOCATION OF THE BACK EDGE OF THE WINDOW.**

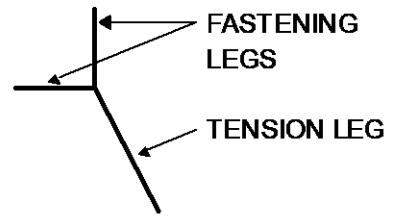


EXO-TEC MANUFACTURING, INC.
294 PLEASANT ST. SUITE 203A, STOUGHTON, MA 02072

(781) 344-9794 FAX (781) 344-9823
www.exo-tec.biz

WINDOW FLASHING SYSTEM INSTALLATION: STEP 3

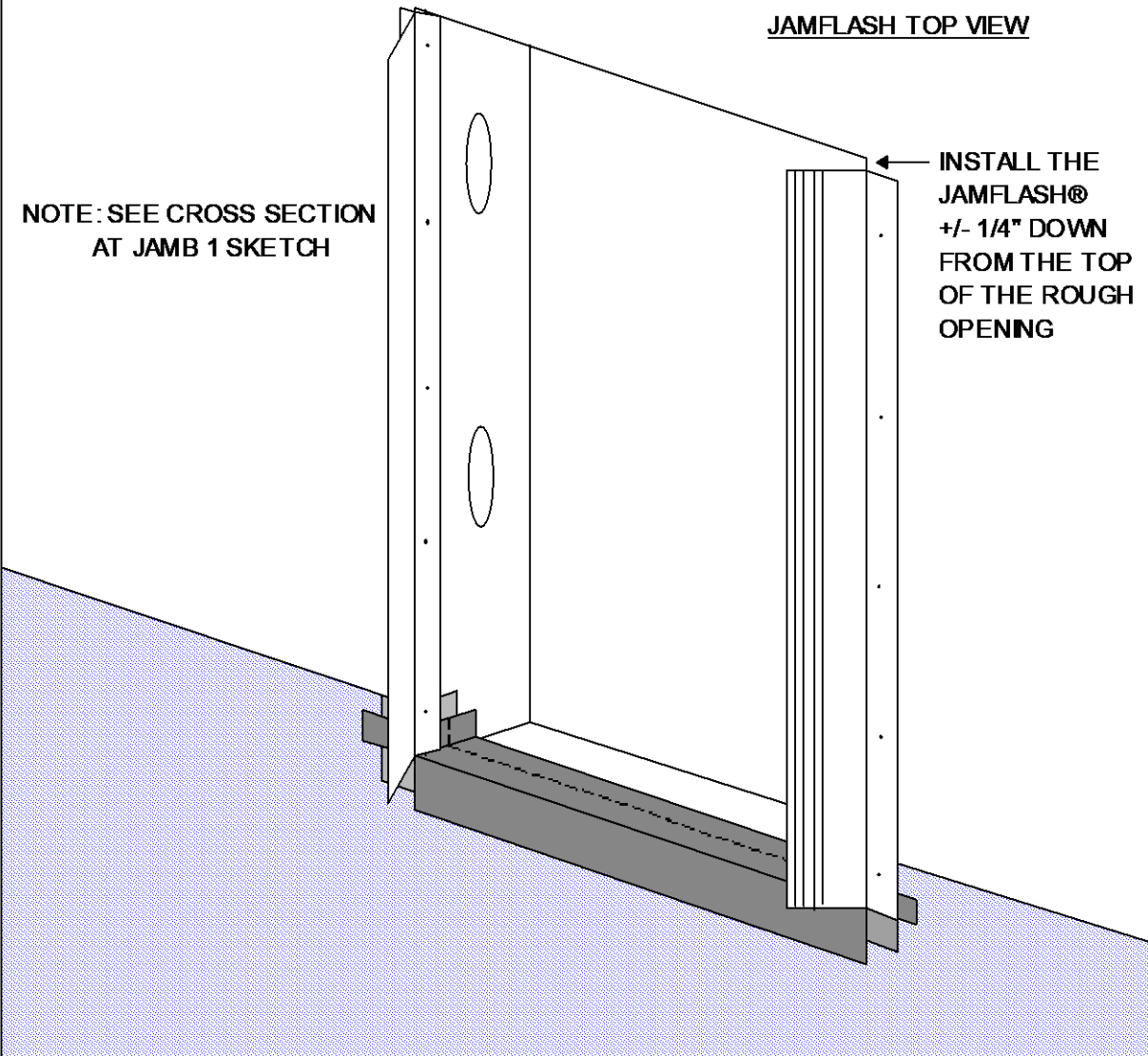
4.) **INSTALL JAMFLASH® BY SEATING IT TIGHTLY TO THE JAMB AND SHEATHING THEN FASTENING IT WITH CORROSION RESISTANT, PANCAKE HEAD, SELF-TAPPING SCREWS AT 12" O.C. ON BOTH FASTENING LEGS**



JAMFLASH TOP VIEW

NOTE: SEE CROSS SECTION AT JAMB 1 SKETCH

INSTALL THE JAMFLASH® +/- 1/4" DOWN FROM THE TOP OF THE ROUGH OPENING



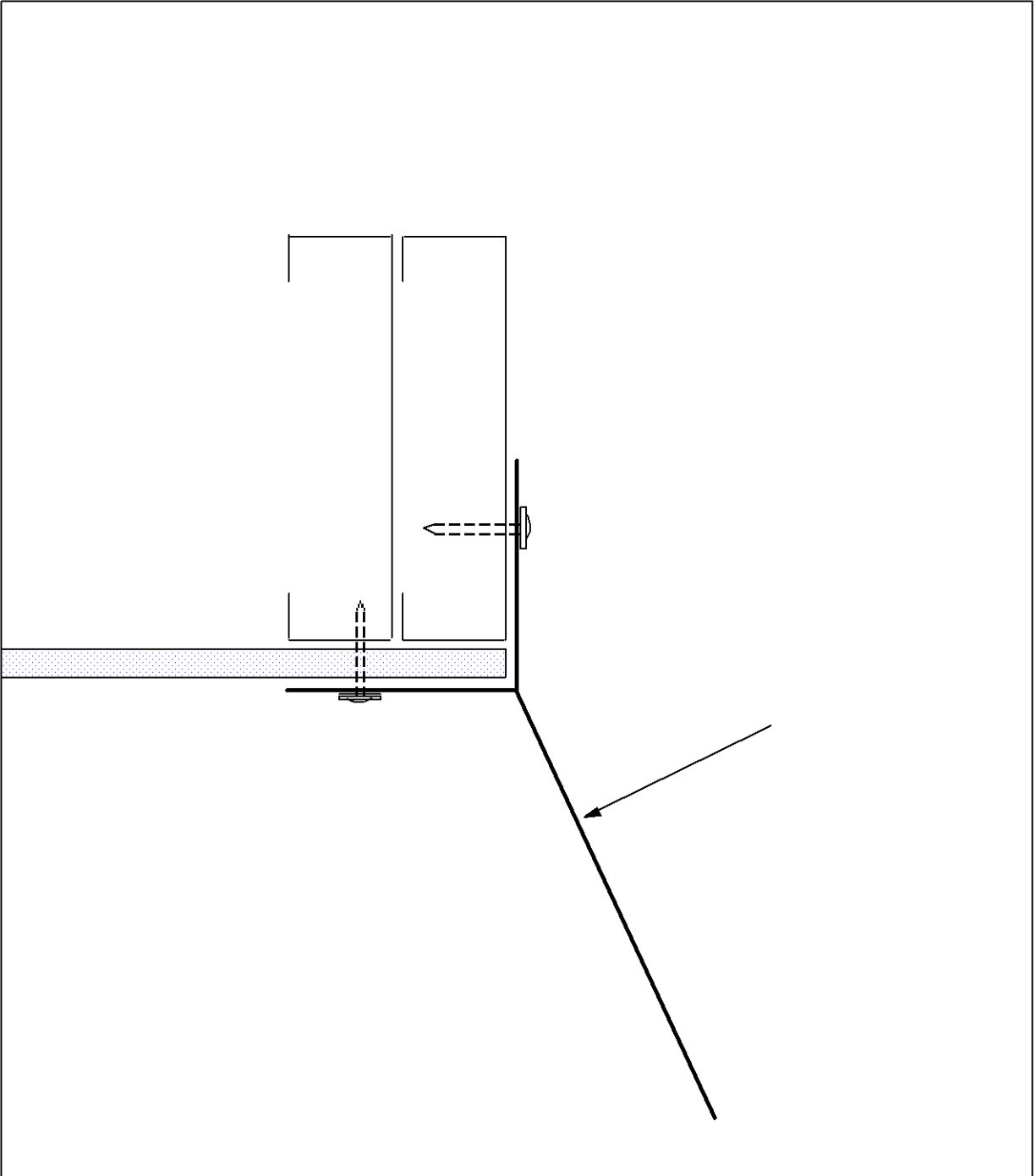
EXO-TEC MANUFACTURING, INC.

294 PLEASANT ST. SUITE 203A, STOUGHTON, MA 02072

(781) 344-9794 FAX (781) 344-9823

www.exo-tec.biz

WINDOW FLASHING SYSTEM INSTALLATION: STEP 4

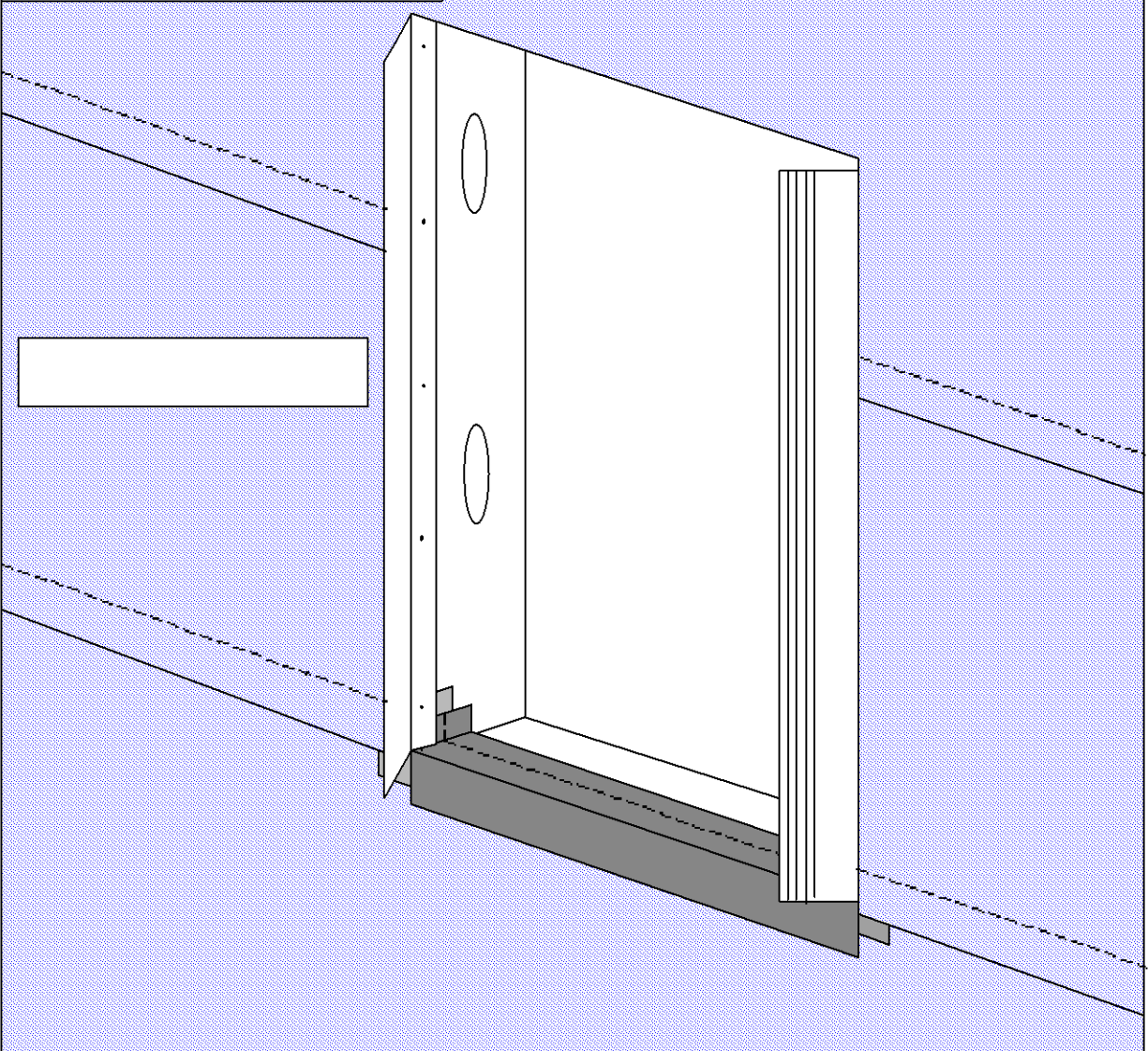


EXO-TEC MANUFACTURING, INC.
294 PLEASANT ST. SUITE 203A, STOUGHTON, MA 02072

(781) 344-9794 FAX (781) 344-9823
www.exo-tec.biz

WINDOW FLASHING SYSTEM INSTALLATION: SECTION AT JAMB 1

5.) INSTALL THE WATER, AIR OR AIR / VAPOR BARRIER UP AND OVER THE WINDOW. LAP OVER THE CAVITY FACE FASTENING LEG OF THE JAMFLASH.



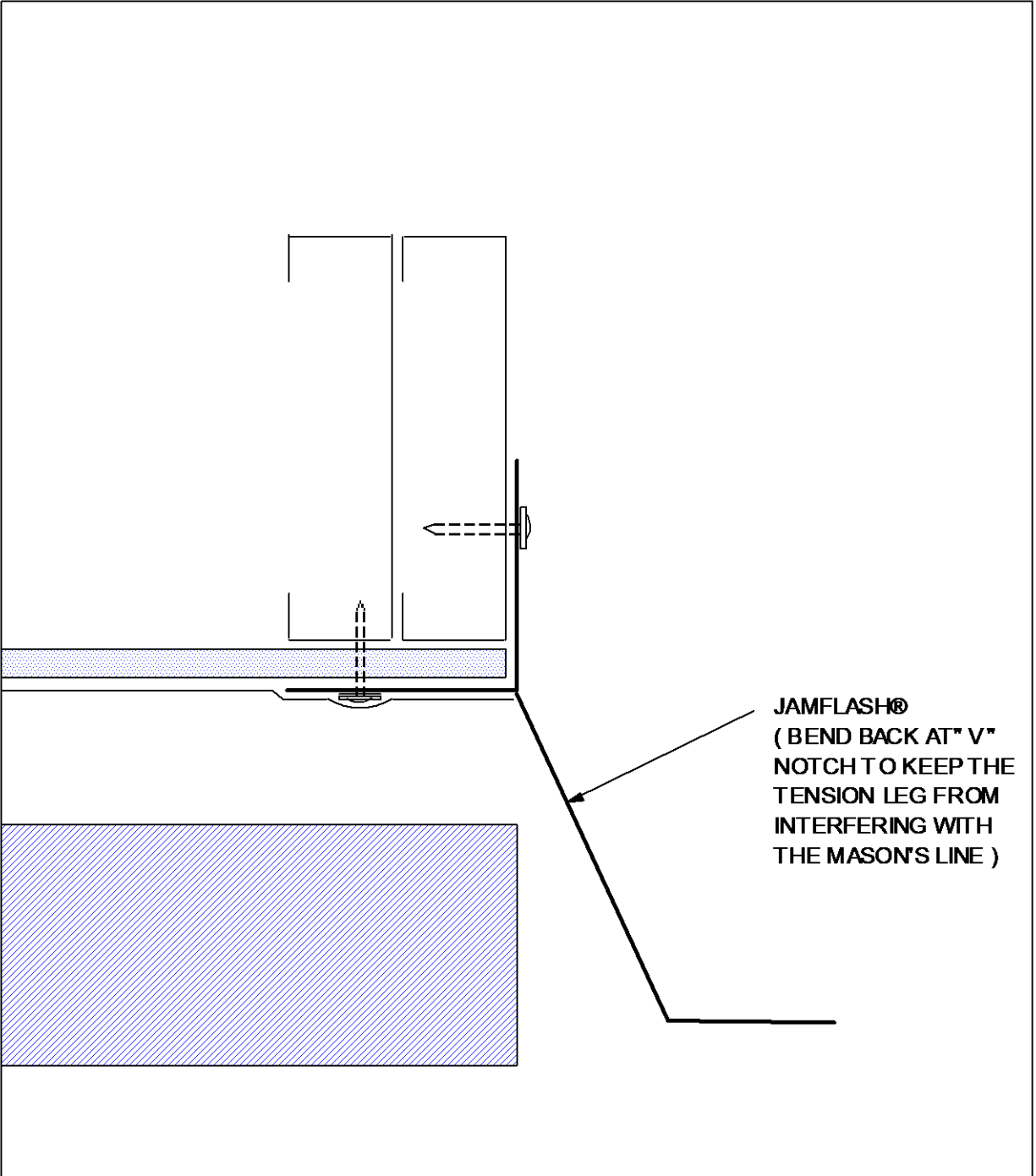
EXO-TEC MANUFACTURING, INC.

294 PLEASANT ST. SUITE 203A, STOUGHTON, MA 02072

(781) 344-9794 FAX (781) 344-9823

www.exo-tec.biz

WINDOW FLASHING SYSTEM INSTALLATION: STEP 5

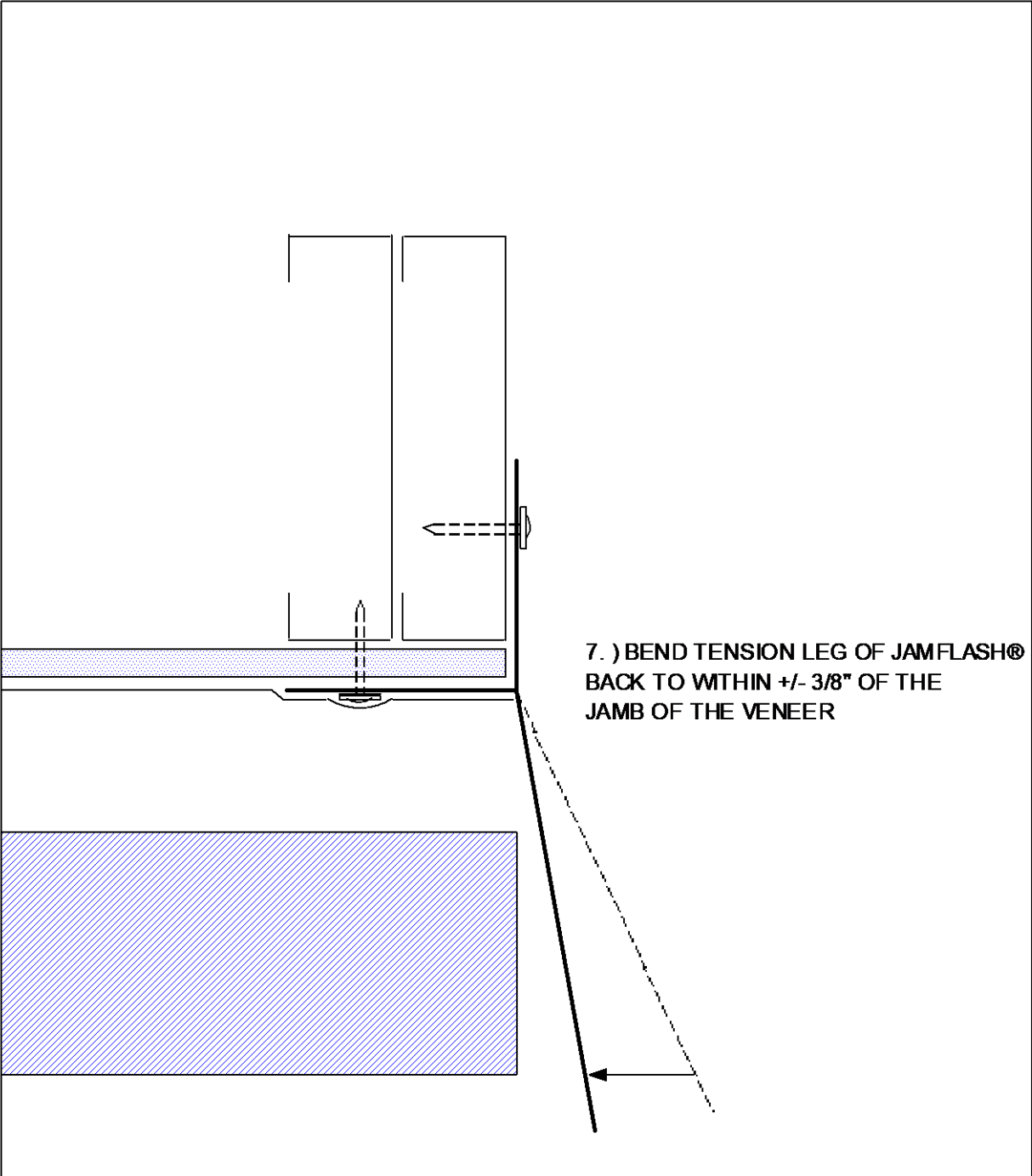


JAMFLASH®
(BEND BACK AT " V"
NOTCH TO KEEP THE
TENSION LEG FROM
INTERFERING WITH
THE MASON'S LINE)

EXO-TEC MANUFACTURING, INC.
294 PLEASANT ST. SUITE 203A, STOUGHTON, MA 02072

(781) 344-9794 FAX (781) 344-9823
www.EXO-TEC.BIZ

WINDOW FLASHING SYSTEM INSTALLATION: STEP 6



7.) BEND TENSION LEG OF JAMFLASH®
BACK TO WITHIN +/- 3/8" OF THE
JAMB OF THE VENEER

EXO-TEC MANUFACTURING, INC.

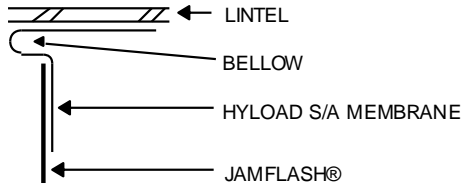
294 PLEASANT ST. SUITE 203A, STOUGHTON, MA 02072

(781) 344-9794 FAX (781) 344-9823

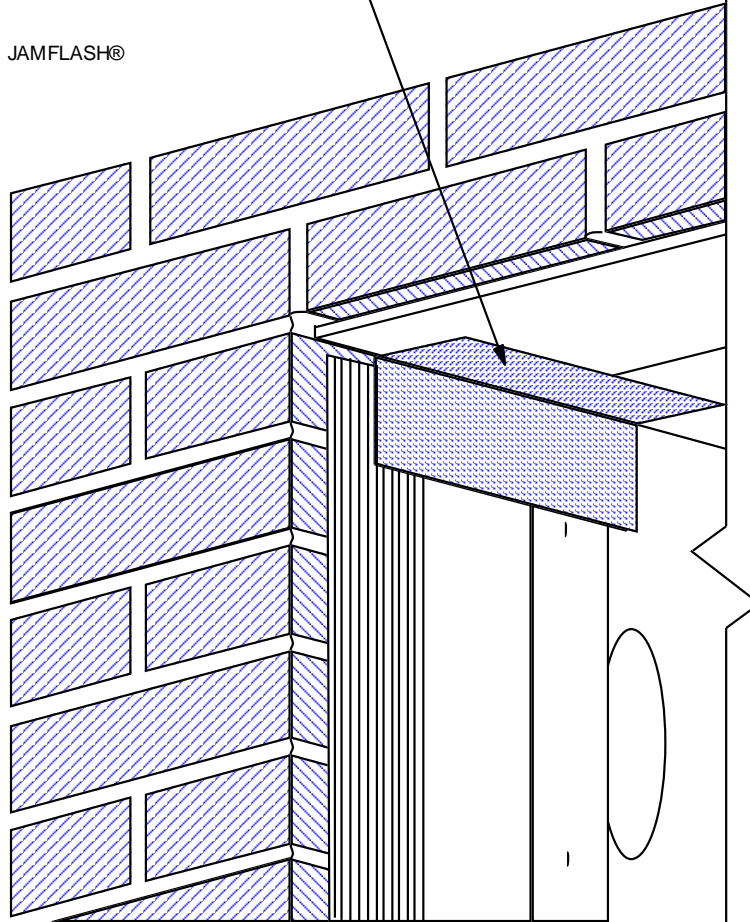
www.exo-tec.biz

WINDOW FLASHING SYSTEM INSTALLATION: STEP 7

8.) APPLY A 6" WIDE STRIP OF HYLOAD SELF ADHERING MEMBRANE FLASHING TO THE JUNCTION OF THE JAMFLASH® AND THE LOOSE LINTEL AT THE HEAD OF THE OPENING. RELEASE THE PRESSURE ON THE JAMFLASH® TO ALLOW IT TO SPRING BACK TO ITS NATURAL SHAPE. A "BELLOW" WILL OCCUR IN THE HYLOAD FLASHING MEMBRANE AT THE 1/4" GAP BETWEEN THE TOP OF THE FLASHING AND BOTTOM OF THE LINTEL.



BELLOW DETAIL



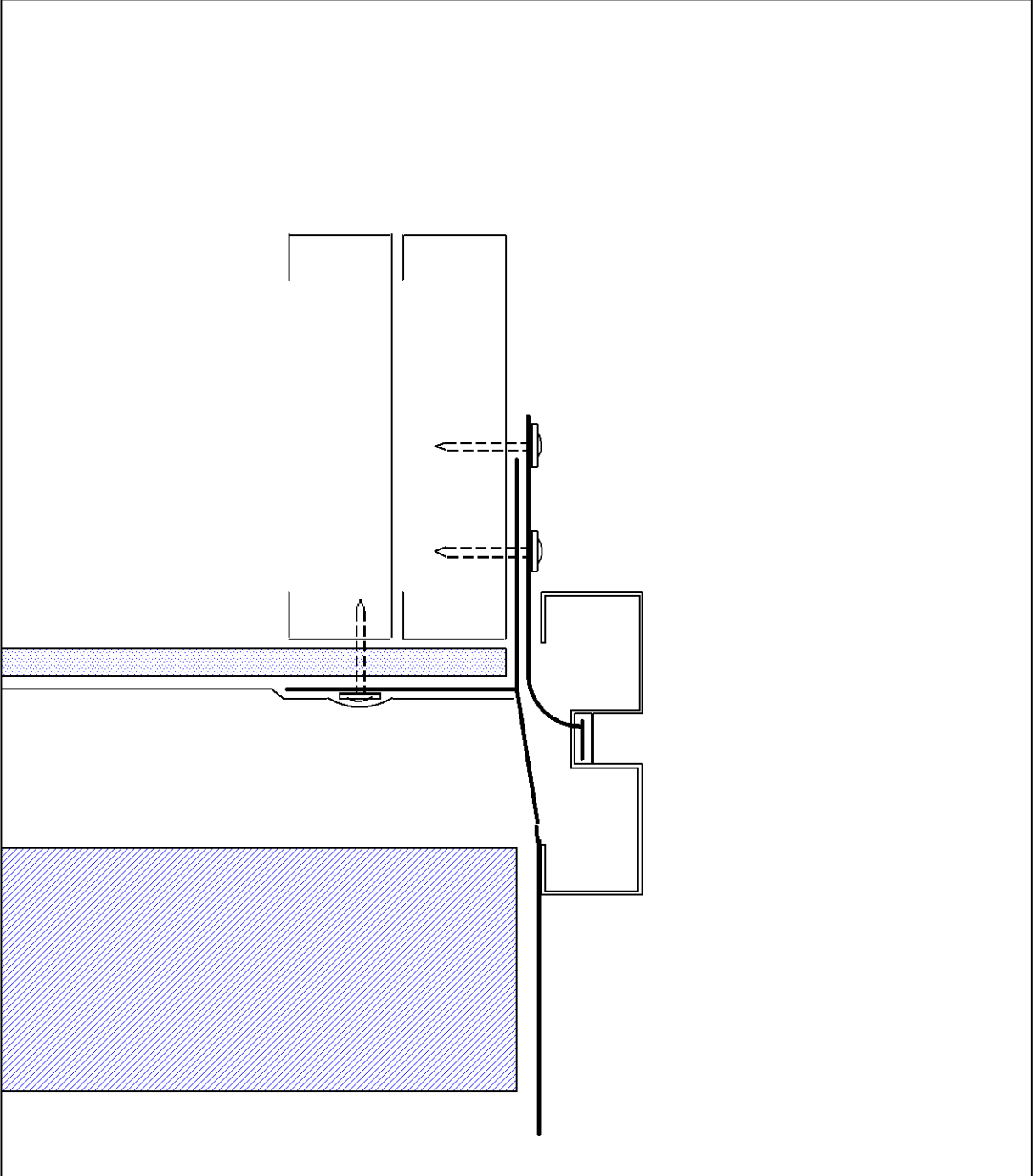
EXO-TEC MANUFACTURING, INC.

294 PLEASANT ST. SUITE 203A STOUGHTON, MA 02072

(781) 344-9794 FAX (718) 344-9823

www.exo-tec.biz

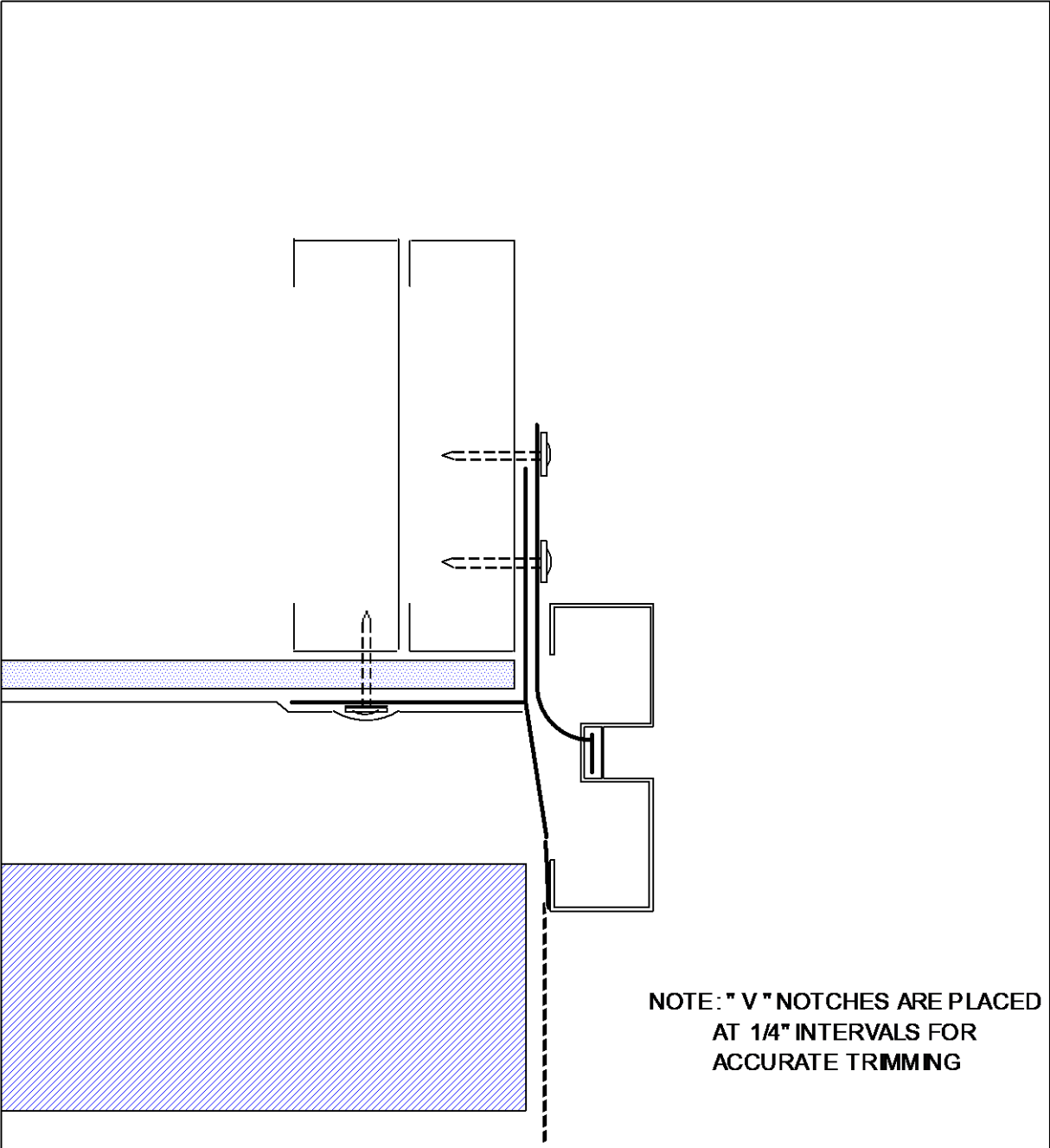
WINDOW FLASHING INSTALLATION: STEP 8



EXO-TEC MANUFACTURING, INC.
294 PLEASANT ST. SUITE 203A, STOUGHTON, MA 02072

(781) 344-9794 FAX (781) 344-9823
www.exo-tec.biz

WINDOW FLASHING SYSTEM INSTALLATION: STEP 9

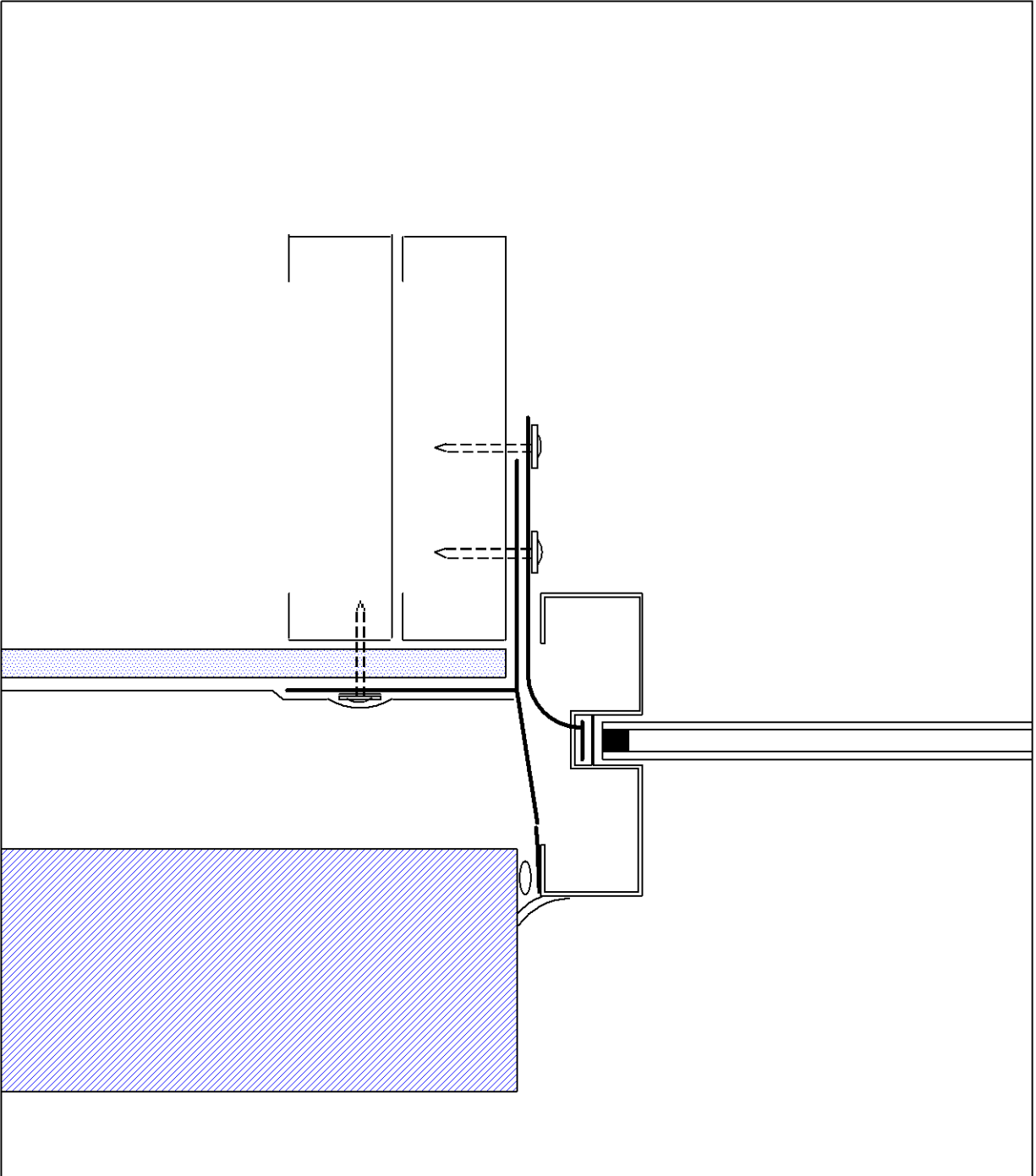


NOTE: " V " NOTCHES ARE PLACED
AT 1/4" INTERVALS FOR
ACCURATE TRIMMING

EXO-TEC MANUFACTURING, INC.
294 PLEASANT ST. SUITE 203A, STOUGHTON, MA 02072

(781) 344-9794 FAX (781) 344-9823
www.exo-tec.biz

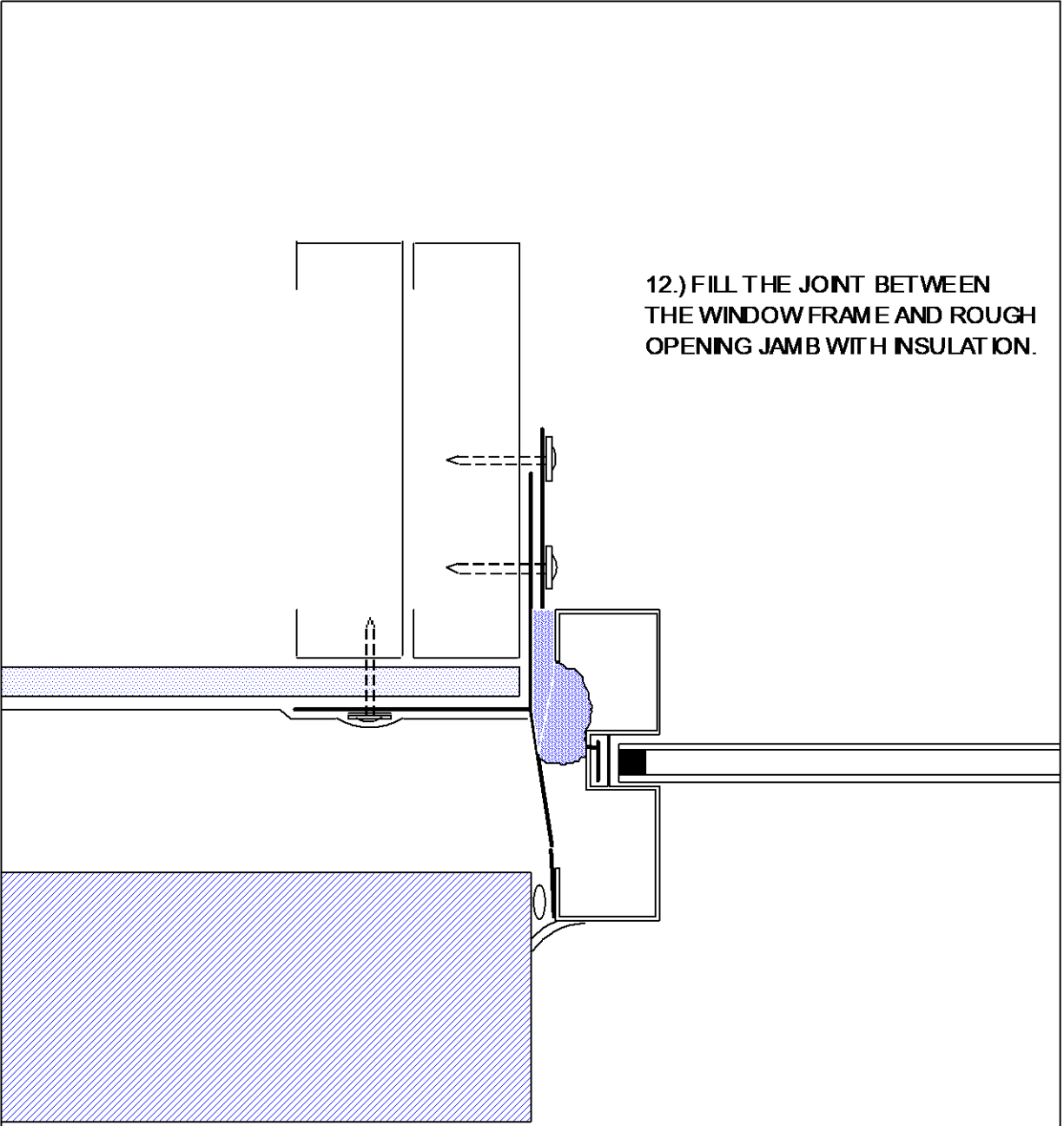
WINDOW FLASHING SYSTEM INSTALLATION: STEP 10



EXO-TEC MANUFACTURING, INC.
294 PLEASANT ST. SUITE 203A, STOUGHTON, MA 02072

(781) 344-9794 FAX (781) 344-9823
www.exo-tec.biz

WINDOW FLASHING SYSTEM INSTALLATION: STEP 11

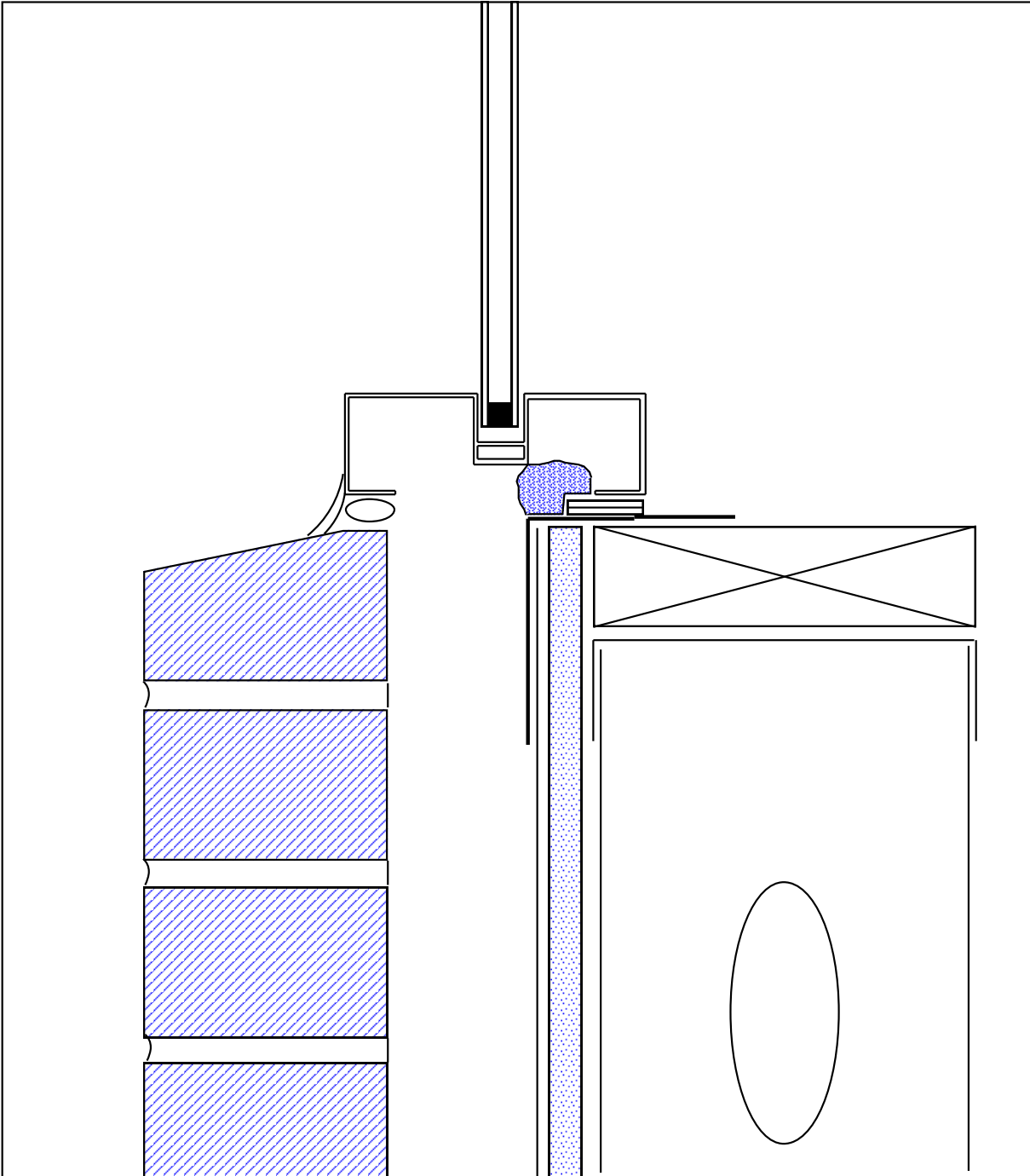


12.) FILL THE JOINT BETWEEN THE WINDOW FRAME AND ROUGH OPENING JAMB WITH INSULATION.

EXO-TEC MANUFACTURING, INC.
294 PLEASANT ST. SUITE 203A, STOUGHTON, MA 02072

(781) 344-9794 FAX (781) 344-9823
www.exo-tec.biz

WINDOW FLASHING SYSTEM INSTALLATION: STEP 12



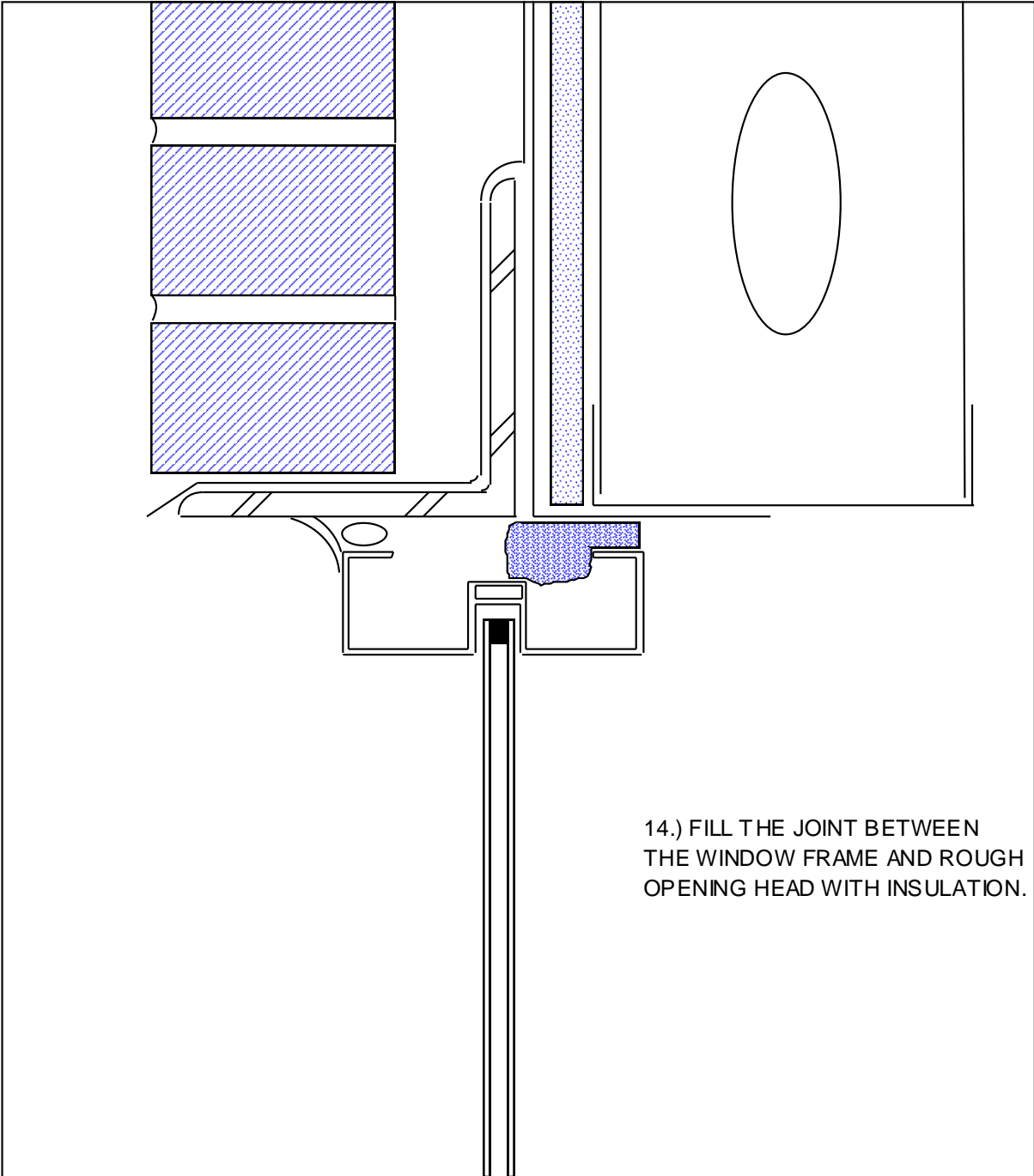
EXO-TEC MANUFACTURING, INC.

294 PLEASANT ST. SUITE 203A, STOUGHTON, MA 02072

(781) 344-9794 FAX (781) 344-9823

www.exo-tec.biz

WINDOW FLASHING SYSTEM INSTALLATION: STEP 13



14.) FILL THE JOINT BETWEEN
THE WINDOW FRAME AND ROUGH
OPENING HEAD WITH INSULATION.

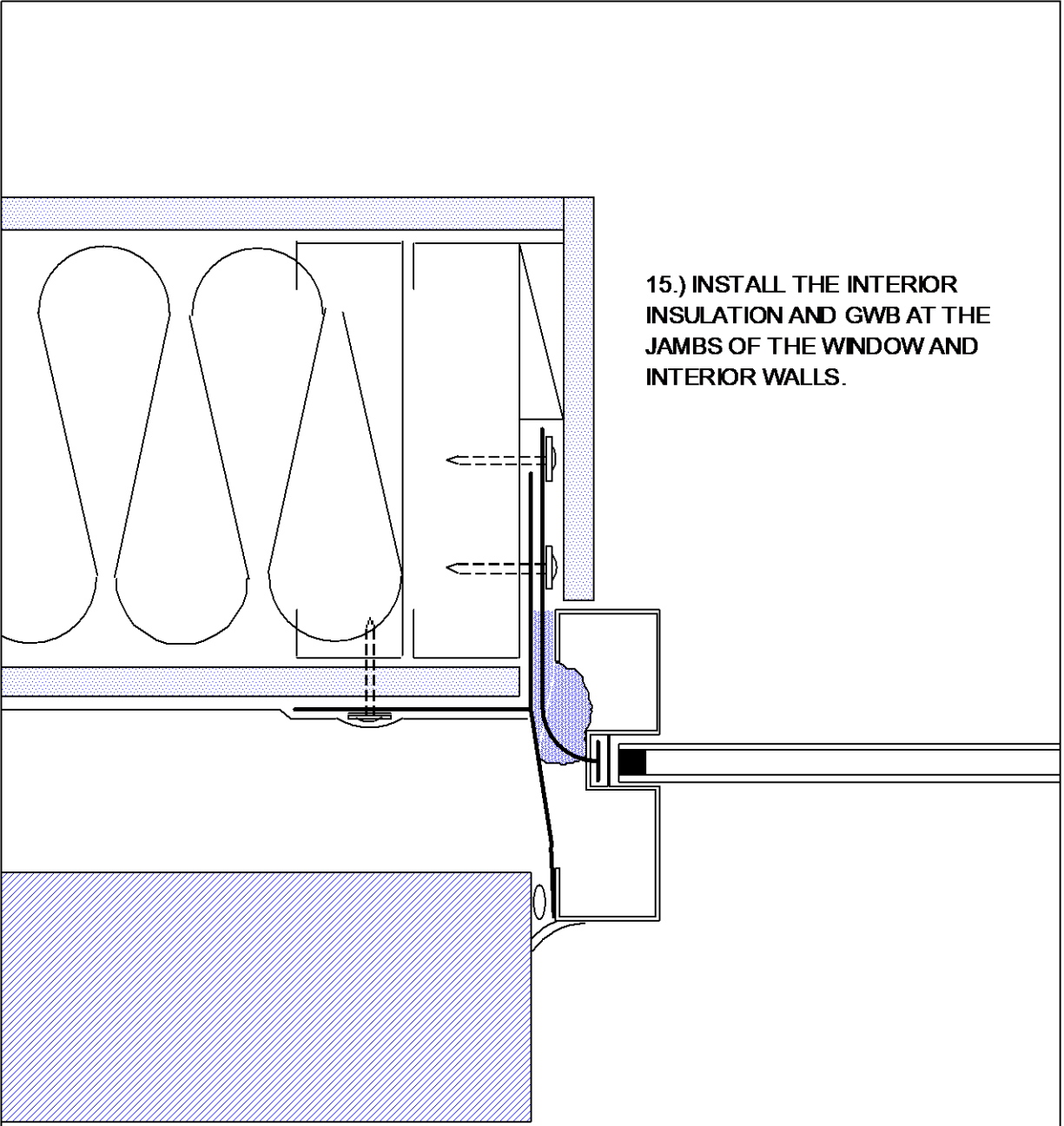
EXO-TEC MANUFACTURING, INC.

294 PLEASANT ST. SUITE 203A, STOUGHTON, MA 02072

(781) 344-9794 FAX (781) 344-9823

www.exo-tec.biz

WINDOW FLASHING SYSTEM INSTALLATION: STEP 14

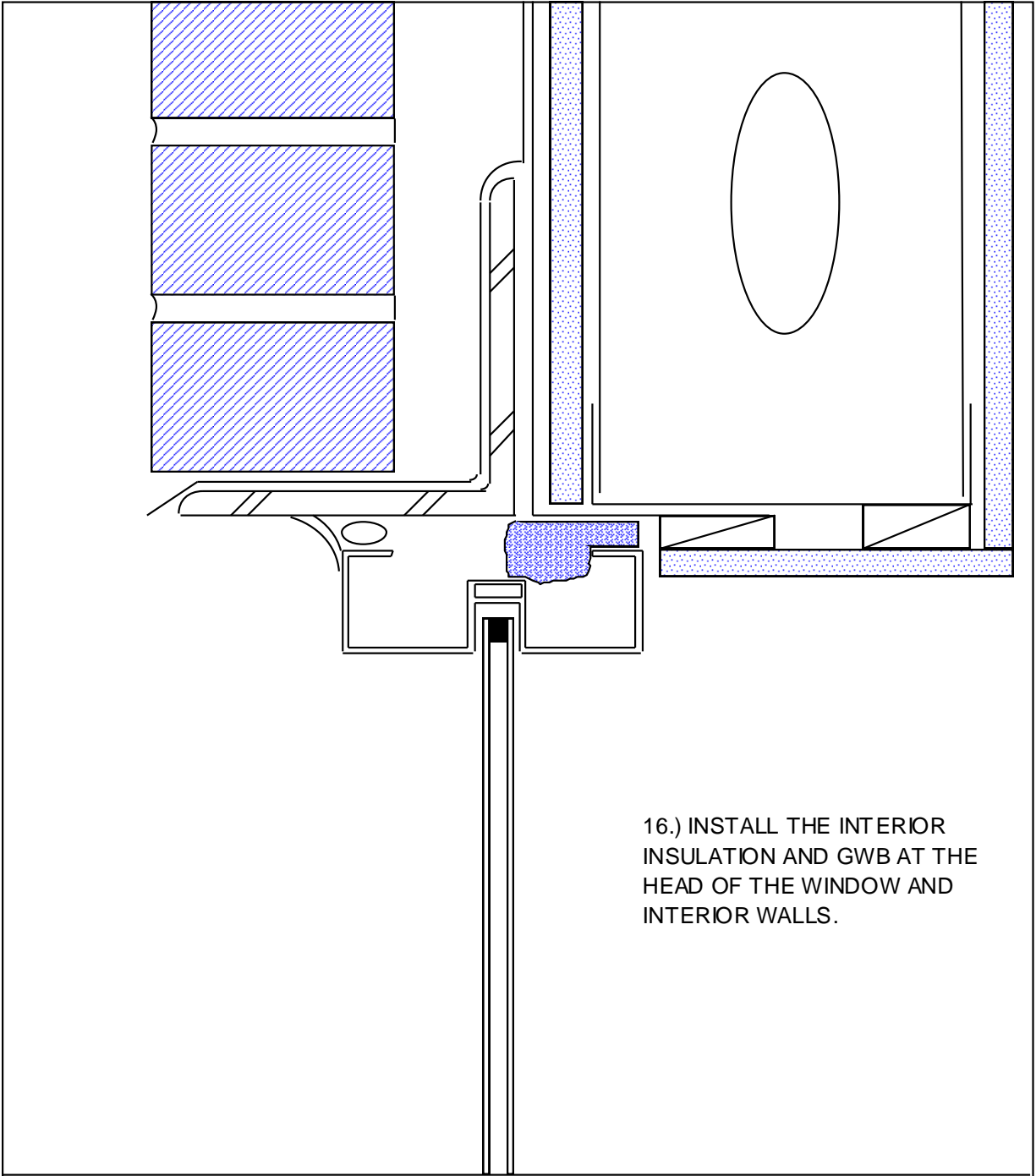


15.) INSTALL THE INTERIOR INSULATION AND GWB AT THE JAMBS OF THE WINDOW AND INTERIOR WALLS.

EXO-TEC MANUFACTURING, INC.
294 PLEASANT ST. SUITE 203A, STOUGHTON, MA 02072

(781) 344-9794 FAX (781) 344-9823
www.exo-tec.biz

WINDOW FLASHING SYSTEM INSTALLATION: STEP 15

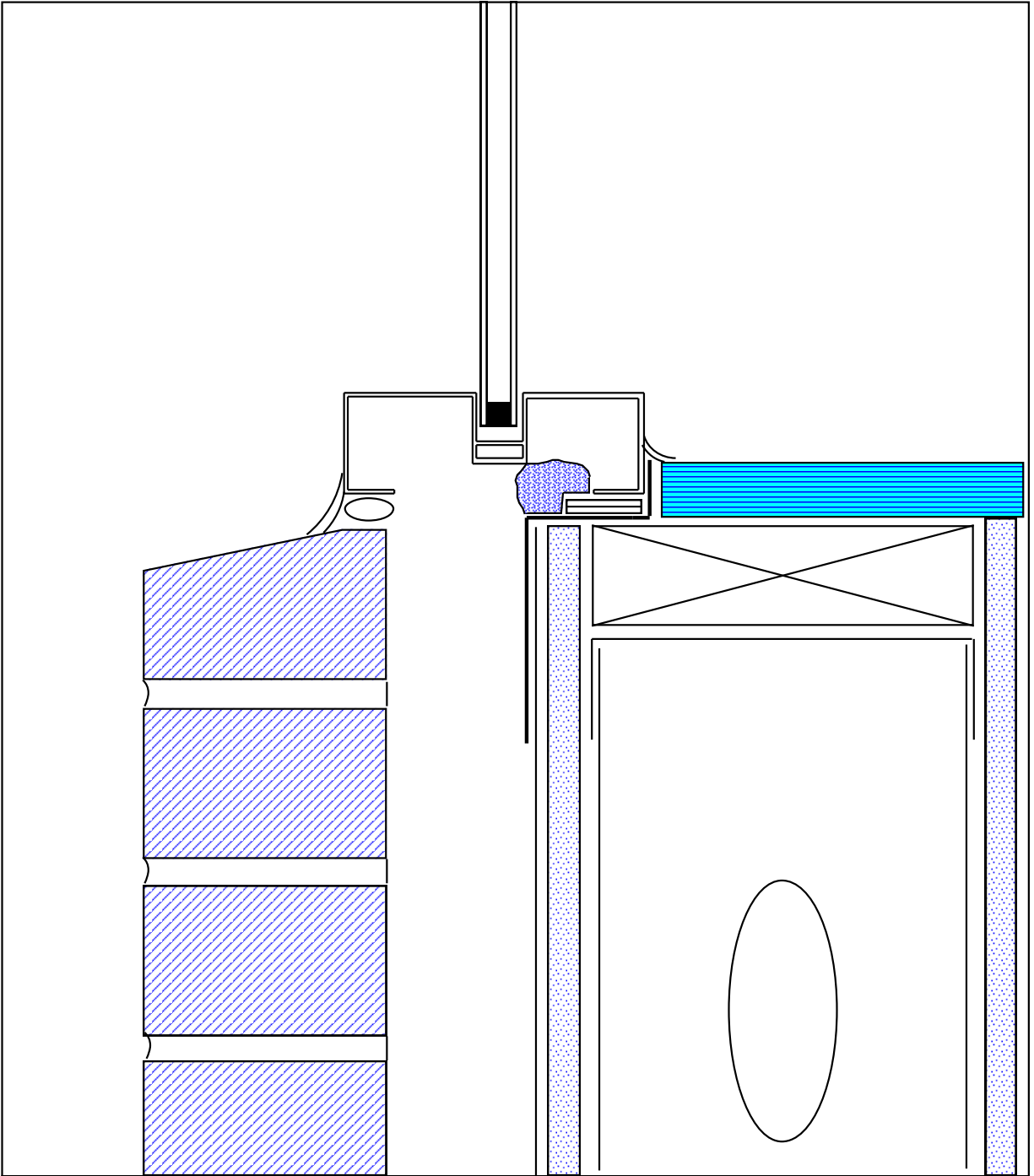


16.) INSTALL THE INTERIOR INSULATION AND GWB AT THE HEAD OF THE WINDOW AND INTERIOR WALLS.

EXO-TEC MANUFACTURING, INC.
294 PLEASANT ST. SUITE 203A, STOUGHTON, MA 02072

(781) 344-9794 FAX (781) 344-9823
www.exo-tec.biz

WINDOW FLASHING SYSTEM INSTALLATION: STEP 16



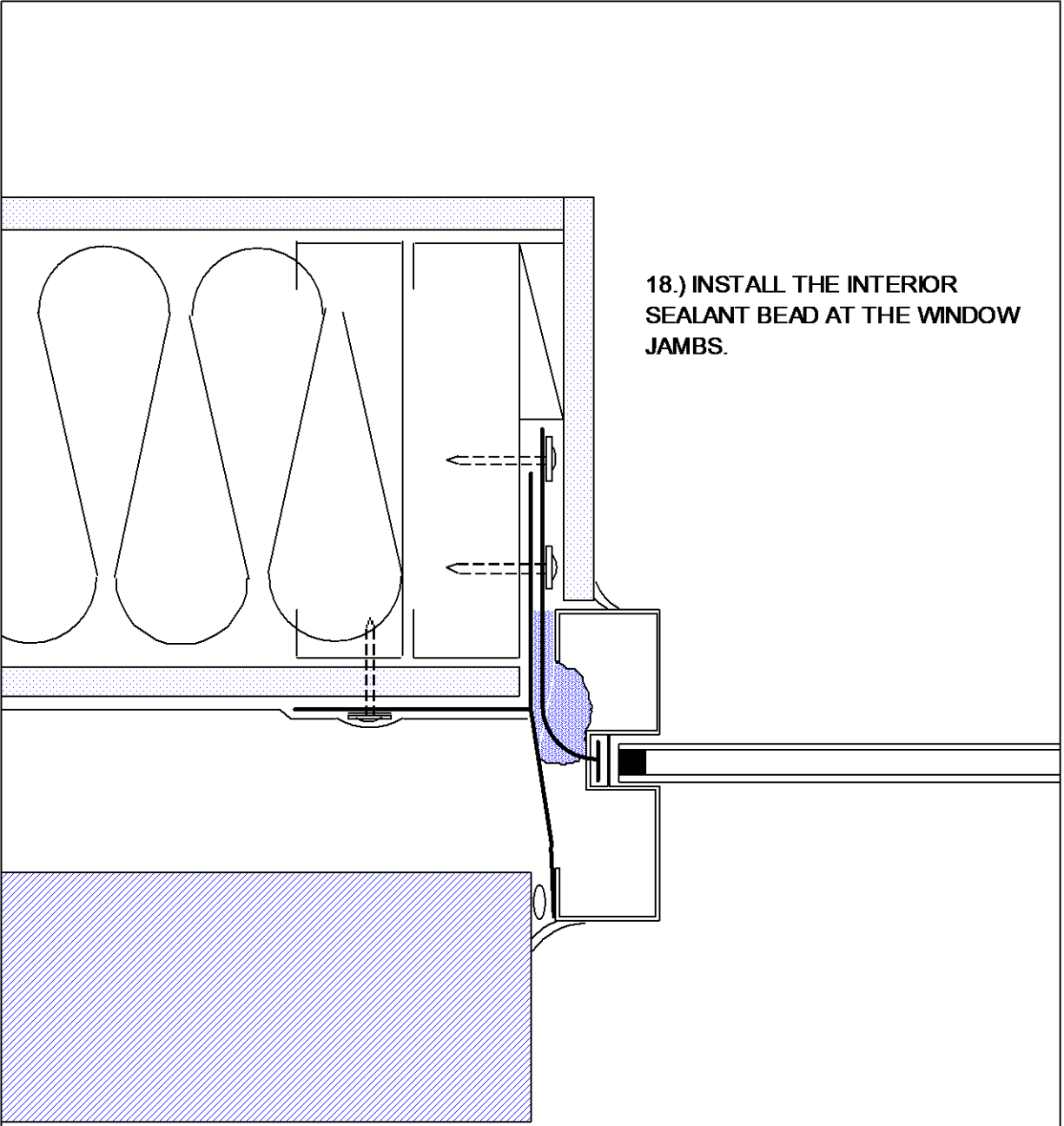
EXO-TEC MANUFACTURING, INC.

294 PLEASANT ST. SUITE 203A, STOUGHTON, MA 02072

(781) 344-9794 FAX (781) 344-9823

www.exo-tec.biz

WINDOW FLASHING SYSTEM INSTALLATION: STEP 17

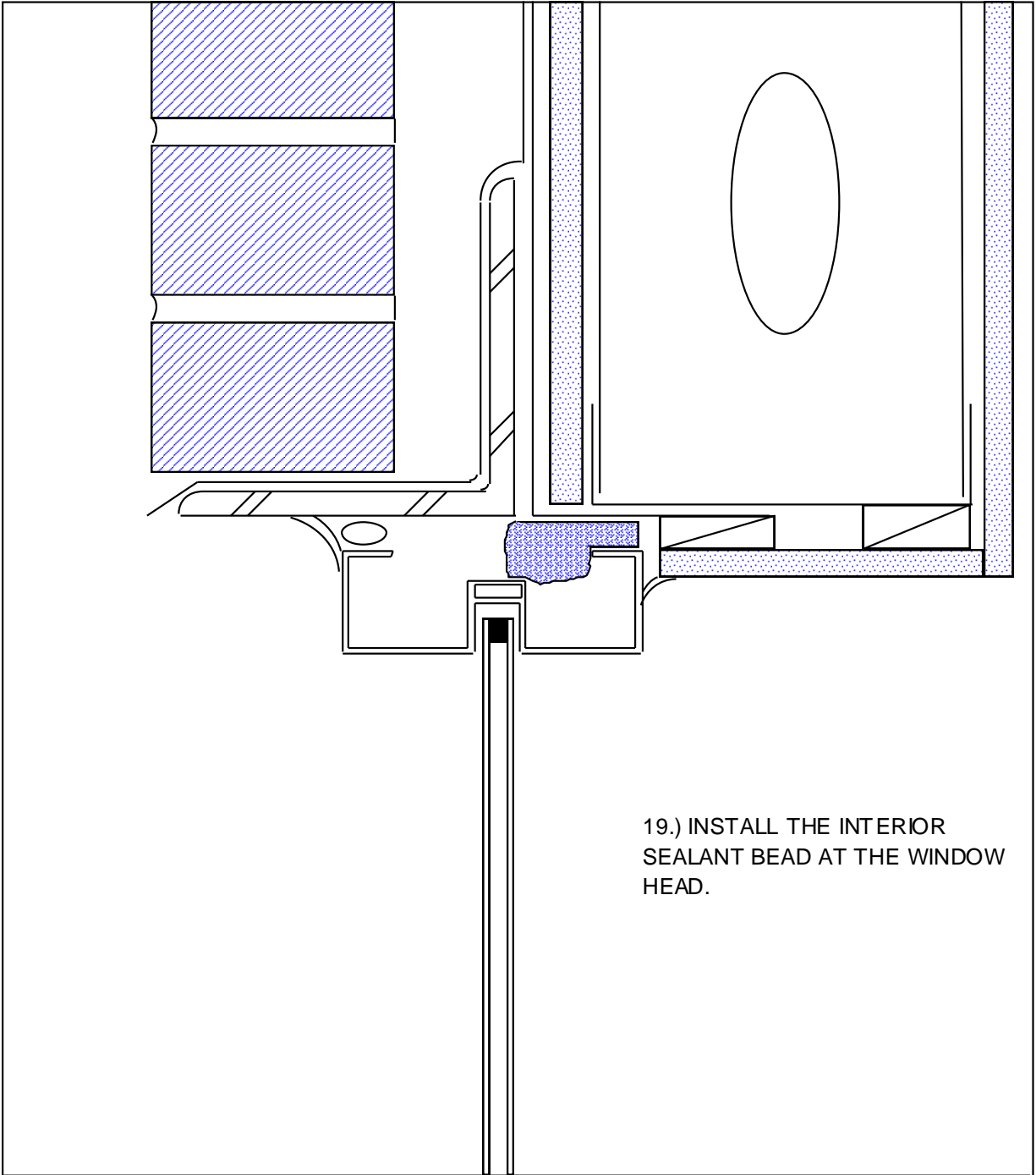


18.) INSTALL THE INTERIOR
SEALANT BEAD AT THE WINDOW
JAMBS.

EXO-TEC MANUFACTURING, INC.
294 PLEASANT ST. SUITE 203A, STOUGHTON, MA 02072

(781) 344-9794 FAX (781) 344-9823
www.exo-tec.biz

WINDOW FLASHING SYSTEM INSTALLATION: STEP 18



19.) INSTALL THE INTERIOR
SEALANT BEAD AT THE WINDOW
HEAD.

EXO-TEC MANUFACTURING, INC.

294 PLEASANT ST. SUITE 203A, STOUGHTON, MA 02072

(781) 344-9794 FAX (781) 344-9823

www.exo-tec.biz

WINDOW FLASHING SYSTEM INSTALLATION: STEP 19